

### PORTABLE RV WASTE PUMP SELF-PRIMING MACERATOR

#### FEATURES

- Connects directly to the RV waste outlet
- Eliminates 3" (75 mm) sewer hose
- Garden hose discharge port
- Fresh water rinse capabilities
- Remote handheld on/off switch with 6' (1.8 m) wire harness and fuse
- Ability to dump longer distances
- Ability to drain holding tanks at home
- Easy clean up and storage
- Rugged portable storage case
- USCG and CSA listed

#### SPECIFICATIONS

- Pump:** Self-Priming Flexible Impeller with Stainless Steel Wearplate
- Impeller:** Jabsco Nitrile Compound
- Macerator:** Stainless Steel Cutter reduces particle size to 1/8" (4 mm) maximum
- Seal:** Lip Type
- Ports:** Inlet – 3" (75 mm) RV Connector  
Outlet – Garden Hose – see table
- Motor:** 12 Vdc Permanent Magnet Type, Fully Enclosed, with Stainless Steel Shaft  
**Intermittent Duty Only**
- Weight:** 6 lb (2.8 kg)
- Case Size:** 12" x 13" x 5.5"  
(300 mm x 315 mm x 140 mm)

This pump should be used in accordance with EPA Sanitation Regulations.

#### **⚠ WARNING**

**DO NOT RUN DRY FOR MORE THAN 30 SECONDS.**



#### APPLICATION

The Flojet 18555-000 DC portable waste pump is the ideal solution for emptying holding tanks on recreational vehicles and avoiding dump stations. The macerator section grinds waste down to a particle size of 1/8" maximum so it can easily be pumped through a garden hose. Empties a typical 40-gallon holding tank in less than 5 minutes. **Do not run more than 15 minutes continuously.**

The 18555-series waste pump will macerate and pump all waste and tissue normally found in recreational vehicle waste systems. IT WILL NOT HANDLE HARD SOLID OBJECTS, SANITARY NAPKINS OR RAGS.

#### RECOMMENDED HOSE TABLE

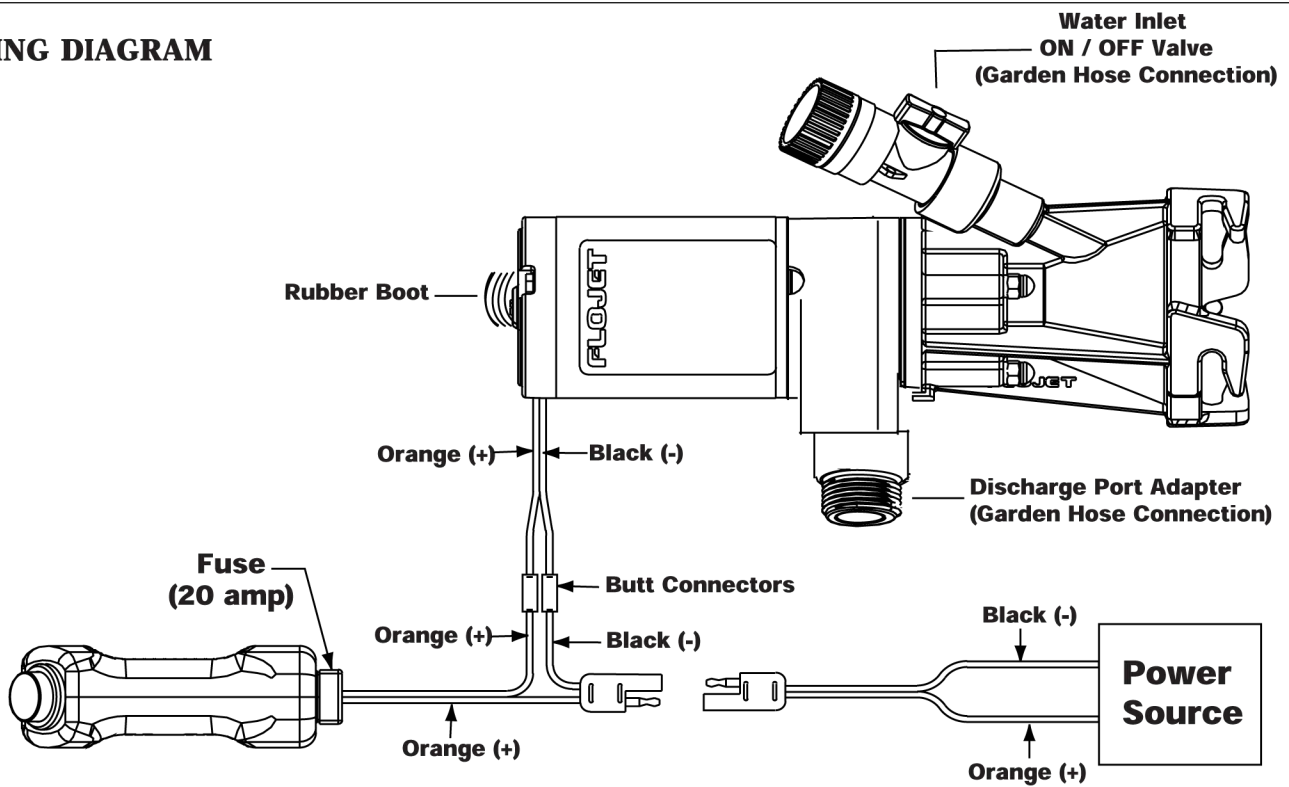
Hose Size	Maximum Hose Length
5/8" (16 mm)	25 feet (7.5m) max
3/4" (19 mm)	50 feet (15m) max

Recommended lengths are based on horizontal discharge. Longer discharge runs create higher resistance and may result in the pump motor over heating.

#### **⚠ WARNING**

**DO NOT MOUNT PERMANENTLY TO THE RV WASTE PORT.**

## WIRING DIAGRAM



## OPERATING INSTRUCTIONS

1. Remove end cap from drain pipe.
2. Install portable waste pump on drain in any convenient position, twisting clockwise to lock. Be sure that o-ring is on pump adapter prior to installing unit.
3. Install waste/garden hose on discharge port adapter.
4. Install rinse water hose to on-off valve.
5. Open black water valve, turn on pump.
6. Turn off pump and open gray water valve. Let gray water backflush black water tank. Turn on pump.
7. Turn off pump, open rinsing valve and back fill tanks for rinsing. Turn on pump. Turn off rinse water. Drain tanks.
8. Close both drain valves, turn on rinse water (40 PSI max.) and pump. Rinse pump and discharge hose.
9. Turn off water and pump, disconnect hose and pump. Store until next use.
10. Replace end cap on drain pipe.

## ELECTRICAL INSTRUCTIONS

1. Refer to electrical drawing above. Connect the 6 foot switch assembly to RV waste pump motor wires with butt connectors (connect the orange motor wire to the orange switch wire; and the black motor wire to the black connector wire).
2. Locate a 12 VDC, 20 amp power source and install the 6 foot power connector-cable; Connect the orange positive wire to a 20 amp circuit, and the Black negative wire to a negative circuit or chassis ground. Locate this connector in the waste compartment or adjacent to the 3 inch waste drain and valves. Optionally, alligator clips (with 20 amp rating) may be installed on the 6 foot power connector-cable for a fully portable installation.
3. **Fuse Replacement:** The fuse is located under the black dust cover on the bottom of the On/Off Control Handle. Use an automotive 20 amp fuse for replacement.

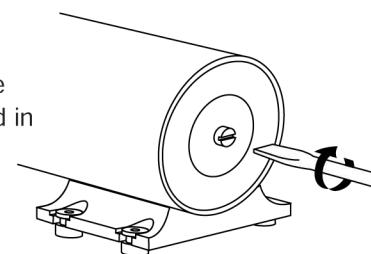
### RECOMMENDED WIRE & FUSE SIZE

#### Wire Size for Connection Length between Battery & Motor

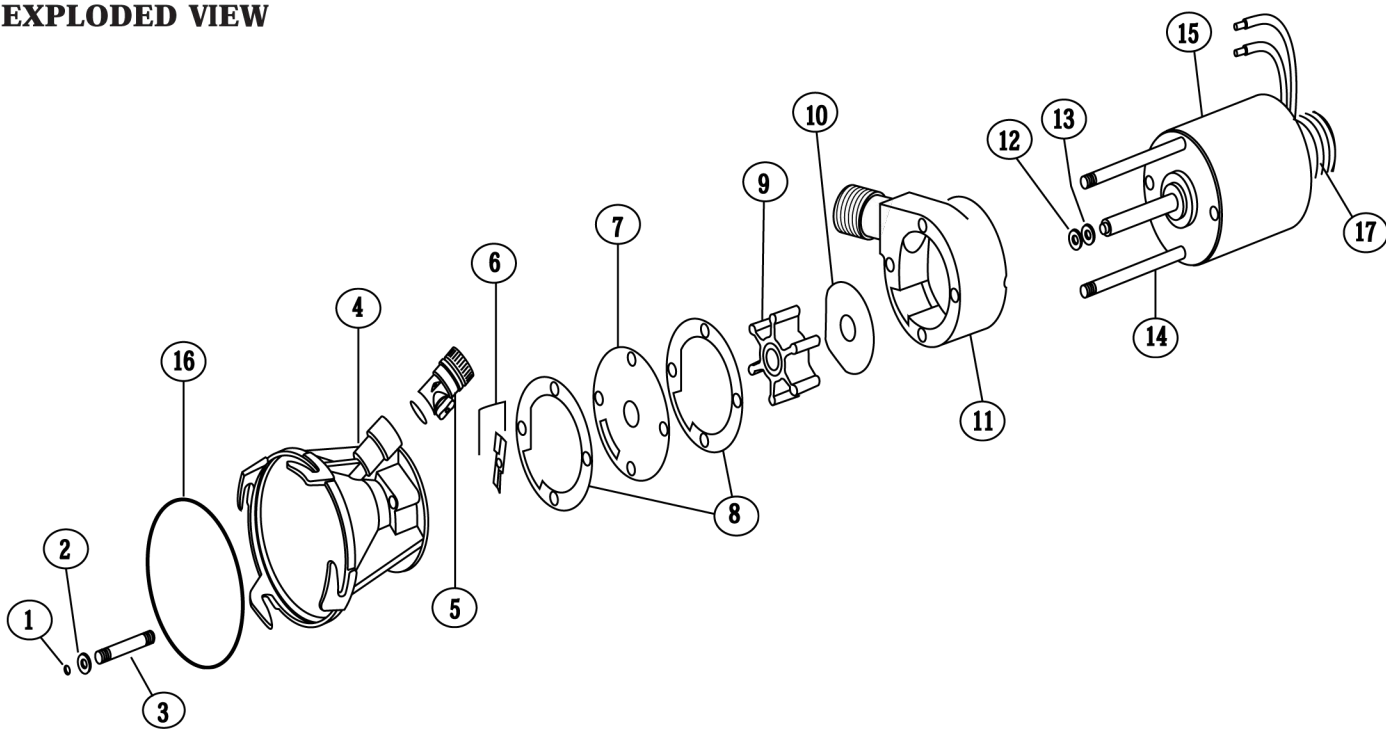
Voltage	1 - 10'	10 - 20'	Fuse/Breaker
12	12 AWG	10 AWG	20 amp

### IMPELLER RELEASE FEATURE

After long periods of non-use, a stuck impeller can be easily broken loose with a screwdriver inserted in motor shaft slot. Remove rubber boot, turn shaft clockwise as shown, and replace rubber boot.



## EXPLODED VIEW



## DISASSEMBLY

Remove the four acorn nuts 3/8" (10 mm) (Key 1) and fiber washers (Key 2) from the pump studs (Key 3). Slide the macerator adapter (Key 4) off the studs. Insert a thin bladed 9/32" (7mm) ignition wrench behind the chopper plate (Key 6) and onto the flat of the motor shaft to prevent it from turning. Unscrew (counter-clockwise) the locknut 7/16" (11 mm) on the end of the motor shaft and remove the stainless steel chopper blade.† Remove the pump wearplate (Key 7) and two paper gaskets (Key 8). Now slide the pump body (Key 12) with impeller (Key 9), small wearplate (Key 10), two studs and shaft seal as an assembly off the motor shaft and remaining two mounting studs. Remove the starlock retaining washer on the seal and push the seal out of the seal bore.

If reconditioning pump with a service kit (Part No. 18598-1000), it is not necessary to remove the seal because the new seal is pre-installed in the new body. It is also generally not necessary to remove the slinger or brass studs screwed into the motor end bell.

## ASSEMBLY

If installing a new seal, push it into the seal bore of the body with the lip pointing toward the impeller bore. Press the starlock washer into the seal bore with the concave side up to secure the seal in the bore. Install the two shorter studs in the two holes with threaded inserts in the new pump body and tighten finger tight. If required, screw the two longer studs into the tapped holes in the motor end bell. Slide the new pump body with the shaft seal installed onto the motor shaft and two long mounting studs in the motor. Slide the small wearplate over the motor shaft and position it in the bottom of the impeller bore. Slide the new impeller onto the motor shaft and, with a counter-clockwise motion, push it into the pump impeller bore. Position one new

## PARTS LIST

Key	Description	Qty	Part Number
1	Acorn Nut	4	91085-0340
2	Fiber Washer	4	91613-0140*
3	Stud	2	17288-0010*
4	Pump Adapter	1	18599-000A
5	Rinse Adapter	1	91010250A
6	Chopper Plate w/Locknut	1	37056-1000
7	Wearplate, Large	1	18597-1000
8	Gaskets (2 ea. per kit)	1	18596-1000*
9	Impeller	1	6303-0003*
10	Wearplate, Small	1	12316-1002
11	Pump Body	1	18593-1001*
12	Seal	1	1040-0000*
13	Slinger	1	6342-0000
14	Stud	2	17288-0000
15	Motor	1	74001-1853A
	Service Kit	1	18598-2000
16	Adapter O-ring Kit (2 per kit)	1	91010253A
17	Rubber Boot	1	21000371
	Switch (not shown)	1	21000378
	Wire Harness w/Connector	1	20030415A

\*These parts are supplied in 18598-2000 service kit

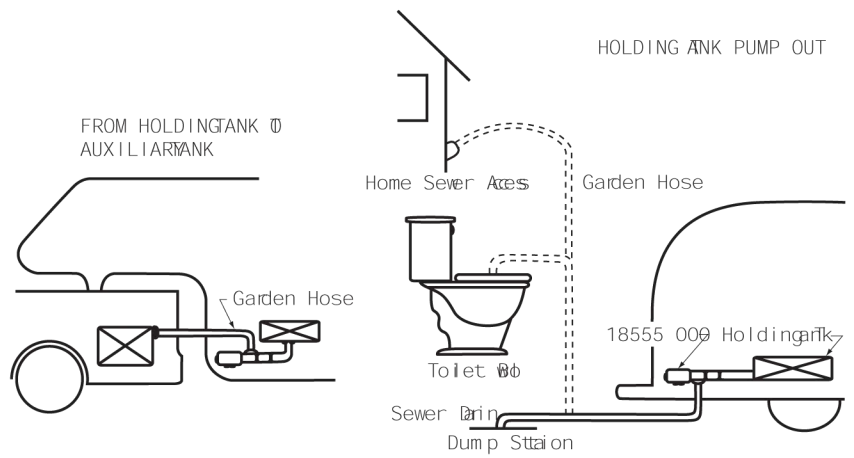
gasket on the studs and against the pump body assuring the cut-out aligns with the inlet groove in the body. Position the large wearplate and second gasket on the studs and against the body again aligning the hole in the wearplate and gasket cut-out with the pump inlet. Position the chopper on the end of the motor shaft with drive tab aligned with flat of shaft and pointing toward the motor. Hold the shaft with the ignition wrench and secure the chopper to the shaft with the locknut. position the macerator housing on the four studs ensuring the cut-out in the inner wall aligns with pump body inlet port and hole in the wearplate. Position a new fiber washer on each of the studs and secure the macerator housing in place with the four acorn nuts.

## EASY TO USE

The waste pump can be used to empty the holding tank into any convenient sewer receiver such as a sewer clean-out at your home.

## APPLICATIONS

- Empty holding tanks and avoid dump stations
- Transfer waste from holding tank to auxiliary tank



## ONE YEAR LIMITED WARRANTY

**A. LIMITED WARRANTY:** Flojet warrants that at the time of shipment, the products manufactured by Flojet and sold hereunder shall be in conformity with applicable written specifications and descriptions referred to or set forth herein, free from defects in material and workmanship, merchantable, and suitable for a particular purpose, provided such is implied by State law under the circumstances of this sale.

### B. WARRANTY ADJUSTMENT

1. Flojet agrees to repair or furnish a replacement for, but not to remove or install, any product or component thereof which, within one (1) year from date of purchase, shall upon test and examination by Flojet prove defective within the above warranty. Receipt verifying purchase date is required to obtain adjustment.
2. Buyer shall notify Flojet of any defect within this warranty no later than ninety (90) days after the defect is discovered.
3. **NO PRODUCT WILL BE ACCEPTED FOR RETURN OR REPLACEMENT WITHOUT THE PRIOR WRITTEN AUTHORIZATION OF FLOJET.** Upon such authorization, and in accordance with instructions from Flojet, the product will be returned to Flojet, shipping charges prepaid by Buyer. Request shipping address from Flojet customer service. Repair or replacement made under this warranty will be shipped prepaid to Buyer.

### C. EXCLUSIONS FROM WARRANTY AND LIMITATION OF LIABILITY:

1. The warranty is limited solely as set forth herein and applies only for the period designated above.
2. FLOJET SHALL NOT BE LIABLE FOR ANY LOSS, DAMAGE, SPECIAL OR CONSEQUENTIAL DAMAGE OF ANY KIND, WHETHER BASED UPON WARRANTY, CONTRACT, NEGLIGENCE, OR STRICT LIABILITY ARISING IN CONNECTION WITH THE SALE, USE, OR REPAIR OF THE PRODUCT.

3. THE MAXIMUM LIABILITY OF FLOJET IN CONNECTION WITH THIS WARRANTY SHALL NOT IN ANY CASE EXCEED THE CONTRACT PRICE FOR THE PRODUCT CLAIMED TO BE DEFECTIVE OR UNSUITABLE.
4. This warranty does not extend to any product manufactured by Flojet which has been subjected to misuse, neglect, accident, improper installation, or use in violation of instructions furnished by Flojet.
5. This warranty does not extend to or apply to any unit which has been repaired or altered at any place other than Flojet's factory, or by persons not expressly approved by Flojet, nor to any unit the serial number, model number, or identification of which has been removed, defaced or changed.
6. Components manufactured by any supplier other than Flojet shall bear only that warranty made by the manufacturer of that product.
7. This warranty applies to products defined as "consumer products" by the Consumer Product Warranties Act as from time to time amended.

**D. CONSUMER RIGHTS:** This warranty gives you specific legal rights, and you may have other rights which vary from state to state. Some states do not allow exclusion or limitation of damages.

**STANDARD WARRANTY:** If the products manufactured and sold hereunder are not Consumer Products, the warranty extended to Buyer shall be as set forth in subparagraphs (A), (B), and (C), **EXCEPT THAT ALL EXPRESS OR IMPLIED WARRANTIES OR MERCHANTABILITY OR SUITABILITY FOR ANY PARTICULAR PURPOSE ARE EXCLUDED.**



*Engineered for life*

[www.flojet.com](http://www.flojet.com)

THE PRODUCTS DESCRIBED HEREIN ARE SUBJECT TO THE STANDARD FLOJET ONE YEAR LIMITED WARRANTY, WHICH IS AVAILABLE FOR YOUR INSPECTION UPON REQUEST.

U.S.A.  
Flojet  
666 E. Dyer Rd.  
Santa Ana, CA 92705  
Phone: 714.557.4700  
Fax: 714.628.8478

UNITED KINGDOM  
Flojet  
Bingley Road, Hoddesdon  
Hertfordshire EN11 0BU  
Tel: +44 (0) 1992 450145  
Fax: +44 (0) 1992 467132

CANADA  
Fluid Products Canada  
55 Royal Road  
Guelph, Ontario N1H 1T1  
Tel: 519 821.1900  
Fax: 519 821.2569

JAPAN  
NHK Jabsco Company Ltd.  
3-21-10, Shin-Yokohama  
Kohoku-Ku, Yokohama, 222  
Tel: 045.475.8906  
Fax: 045.475.8908

GERMANY  
Jabsco GmbH  
Oststrasse 28  
22840 Norderstedt  
Tel: +49-40-53 53 73 -0  
Fax: +49-40-53 53 73 -11

ITALY  
Jabsco Marine Italia  
Via Tommaseo, 6  
20059 Vimercate, Milano  
Tel: +39 039 685 2323  
Fax: +39 039 666 307